

INSTALLATION OF CTCSS UNIT

1. OPEN THE CASE

Remove 2 screws of from the electrode on the bottom and 2 screws holding the back panel of the transceiver and gently separate the front case from the back panel.

2. INSTALL CTCSS

Peel off the protection sheet from the double-side adhesive tape attached to the CTCSS, and attach it at the position shown in the illustration as shown in Fig.1.

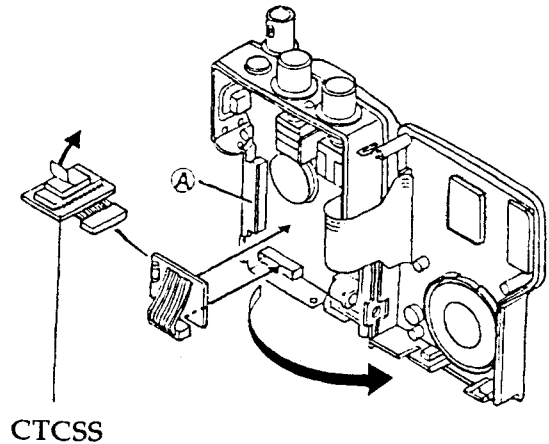


Fig. 1

3. RESTORE THE ORIGINAL CONDITION

Engage the front case and back panel with screws as originally, and so is the electrode.

4. DEVIATION ADJUSTMENT

The deviation adjustment is performed as following (Fig.2)

Note:

The tone deviation of the CTCSS has been set to the proper amount at the factory. Therefore it does not require adjustment in the field.

- 1) Connect the deviation meter to the antenna terminal.
- 2) Set the frequency displayed on the transceiver to 144.00 MHz, and the tone frequency to 67Hz.
- 3) Set the transceiver for tone squelch operation.
- 4) Insert a dummy plug into the MIC jack of the transceiver.
- 5) Put the transceiver in transmission mode, and adjust semi-fixed resistor R801, on the CTCSS, so that the tone deviation reading is $\pm 0.6\text{kHz}$.

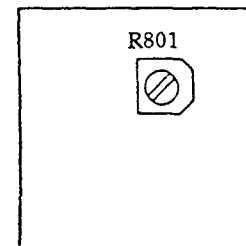
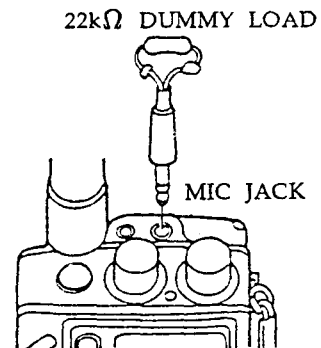


Fig. 2

5. SPECIFICATIONS

Reference oscillation frequency3.579545MHz
Output frequencies38(67.0 to 250.3Hz)
Output level.....	210mV
Tone distortion.....	Below 10%
Accessories	
Instruction Manual.....	1